

LED FLOOD



PRIME FEATURES:

- ▶ 50000 HOURS LIFE SPAN
- ▶ FROM 10 W
- ▶ EPISTAR Led CHIP
- ▶ THERMAL SHUTDOWN PROTECTION
- ▶ ZERO UV EMISSION



Product Overview:

LED Flood is environmentally friendly fitting constructed in unique and stylish shape suitable for modern architecture. The fittings is using ultra-bright highest level Epistar LED chips with roprietary encapsulation technology, realizing excellent luminance, low brightness decline. It provides huge savings on maintenance with a 50,000 hour rated life span. Further fittings befits: soft-start function with thermal shutdown protection, instant on, flicker free, no mercury gas, zero UV emission.

Application
 Warehouse
 Workshops
 Supermarkets
 Factory
 Airport
 Bus Stations

Physical Data
 Body Shape- Rectangle
 Body Colour—Black
 Body Finish—Aluminium
 Diffuser Colour—Clear
 Diffuser Material-Toughen Glass

BRIDGELUX
 The Magic of Light™

RoHS
 compliant

SMD LED

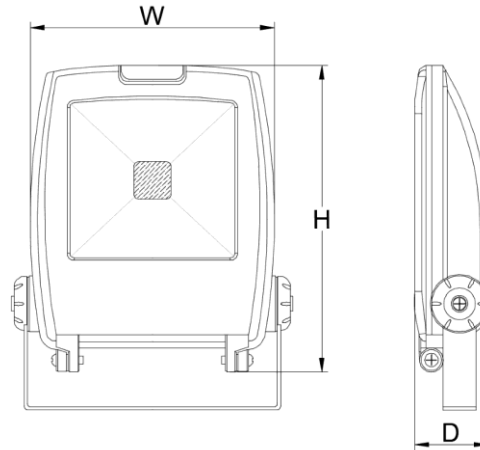
Part Number	Description	Power[w]	Lumen	Colour Temperature
AL-FL10WLED-SBL	Led Flood Light with sensor	10	900	5500k
AL-FL10WLED-BL	Led flood Light 10 W	10	900	5500k
AL-FL30WLED-BL	Led flood Light 30 W	30	2700	5500k
AL-FL50WLED-BL	Led flood Light 50 W	50	4500	5500k
AL-FL70WLED-BL	Led flood Light 70 W	70	6300	5500k
AL-FL100WLED-BL	Led flood Light 100 W	100	9000	5500k
AL-FL200WLED-BL	Led flood Light 200 W	200	18000	5500k
AL-RGB-FL-10	Led flood Light 10 W	10	-	5500k
AL-RGB-FL-50	Led flood Light 50 W	50	-	5500k

Specification:

Input Voltage	110-240AC	Mount	Surface
Input Frequency [HZ]	50/60	Options	Post Mounted Accessories- see website
Power Factor	>0.98	Total Power	10W/30W/50W/70W/100W/200W
Driver	Standard Driver Included		
Beam Angle	60°		
CRI	>80		
Life [H]	>50000		
Operating Temperature	-25°C to 45 °C		
Ip Rating	IP65		
Voltage	30-36V DC		
Driver	Integral Driver Included		

Dimensions:

Description	Width	Height	Deep
	W [mm]	H [mm]	D [mm]
AL-FL10WLED-BL	150	180	50
AL-FL30WLED-BL	220	280	80
AL-FL50WLED-BL	330	370	110
AL-FL70WLED-BL	330	400	100
AL-FL100WLED-BL	360	420	120
AL-FL200WLED-BL	420	490	130
AL-RGB-FL-10	150	180	50
AL-RGB-FL-50	320	370	110



Photometric Data

