

PRIME FEATURES:

- FULLY ADJUSTABLE
- HIGH LUMEN OUTPUT
- EPISTAR CHIP
- 20W/30W
- IP 40



APPLICATION



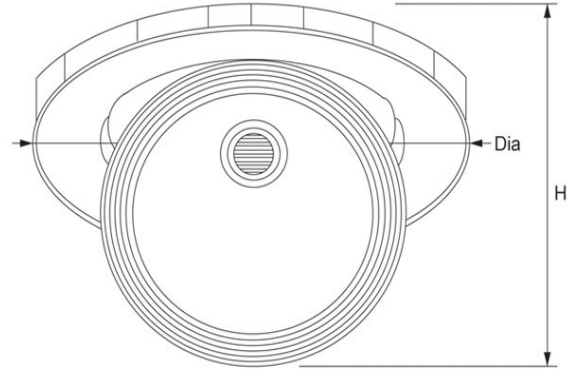
PART NUMBER	DESCRIPTION	POWER [W]	LUMEN	COLOUR TEMPERATURE
AL-SCCOB20	SCOB 20W	20	1500-1650	4000/6000
AL-SCCOB30	SCOB 30W	30	2250-2500	4000/6000



WHAT YOU NEED TO KNOW:

SPECIFICATION:

Input Voltage	100-240AC
INPUT FREQUENCY [HZ]	50-60
DRIVER	INCLUDED
BEAM ANGLE	60 °
CRI	≥80
LIFE[H]	30,000 HOURS
IP RATING	IP40
WARRANTY	5 YEARS



DIMENSIONS:

DESCRIPTION	WIDTH W(MM)	CUTOUT L(MM)	DEEP D(MM)
20W	180	172	154
30W	215	205	175

PHYSICAL DATA:

BODY SHAPE	ROUND
BODY COLOUR	WHITE
BODY FINISH	DIE CAST
DIFFUSER COLOUR	CLEAR
DIFFUSER MATERIAL	GLASS

PHOTOMETRIC DATA

