

LINEAR II HIGHBAY



Product Overview:

Auralid Ltd. launched Linear LED High Bay to meet aisle lighting demands for high rack warehouses. The linear shape and narrow long light distribution are specifically designed for aisle lighting. Accurate Optical Design Specialized for linear high bay lighting. A one-piece aluminium heat sink is designed to pursue a better level of thermal management and protection. Utilizes High Brightness LEDs, >70CRI @ 5000K (3000K,4000K,6000K available). Heat Sink and Light Shell in Integration Design, Expanding Effective Thermal Management Area. Quick and Easy Installation with Varies Choices. Anti-corrosion Coating Surface and Wholly IP65 Design Suitable for All Kinds of Weather.

Application

Workshops
Hotels
Warehouse
Shopping Mall
Restaurants
Offices

Electrical Specification:

- 1: CE, DLC Certified, CETLUS Listed.
- 2: Power Input: 100-277VAC, 50/60Hz
- 3: Power Factor: ≥95%
- 4: THD at Full Load: ≤15%
- 5: Dimming (Upon Request, Please Contact Auralid).
- 6: Working Temperature (Environment): -40~+60.



Lumiway
Linear LED High Bay

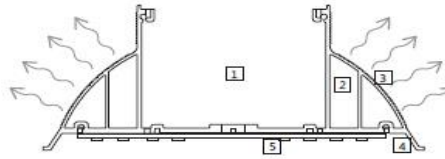
Microwave Motion Sensor

Part #	Power	LED Type	CCT	Light Efficiency	Luminous Flux	Beam Angle	IP Level	Net Weight
AL-LIN-90	90W	Nichia	5000K (3000K,4000K,6000K Optional)	≥120lm/W	≥10800lm	40°x80°/55°x130°	IP65	4.6±0.4kg
AL-LIN-120	120W	Nichia	5000K (3000K,4000K,6000K Optional)	≥120lm/W	≥14400lm	40°x80°/55°x130°	IP65	4.7±0.4kg
AL-LIN-150	150W	Nichia	5000K (3000K,4000K,6000K Optional)	≥120lm/W	≥18000lm	40°x80°/55°x130°	IP65	6.2±0.4kg
AL-LIN-180	180W	Nichia	5000K (3000K,4000K,6000K Optional)	≥120lm/W	≥21600lm	40°x80°/55°x130°	IP65	6.3±0.4kg
AL-LIN-210	210W	Nichia	5000K (3000K,4000K,6000K Optional)	≥120lm/W	≥25200lm	40°x80°/55°x130°	IP65	8.0±0.4kg
AL-LIN-240	240W	Nichia	5000K (3000K,4000K,6000K Optional)	≥120lm/W	≥28800lm	40°x80°/55°x130°	IP65	8.1±0.4kg

Thermal Management:

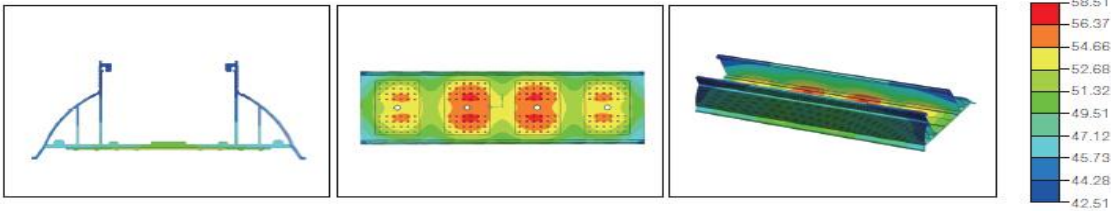


A one-piece aluminium heat sink overcomes the thermal barrier of module lamps, bringing a better heat dissipation effect. A 120 degree baffle with drape surface provides good performance for heat dissipation and anti-glare effect. The installation platform for the driver reduces the influence of heat from the radiator over the power supply, ensuring lifetime.



- 1. Independent Electrical Cavity
- 2. Hollow Structure
- 3. Drape Surface
- 4. Anti-glare Baffle
- 5. Aluminum PCB

THERMAL SIMULATION ANALYSIS(120W)



Quality Control:

Auraled linear LED High Bay Light incorporates the latest LED application technology to create an excellent product. We have a strict quality control system during the development and production stage. The main components such as Driver and LED Chips all are coming from the world's top suppliers. A strict surface treatment processing is conducted towards all metal parts.

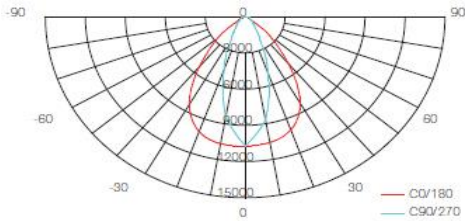
Power Supply:



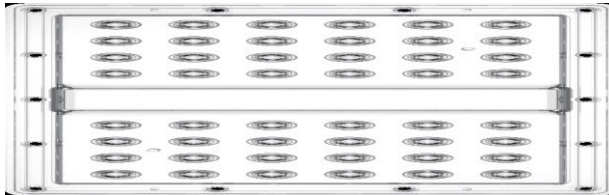
MEAN WELL power supply, lifetime is more than 50,000 hours, and 5 years warranty offered. Installation and connection is plug type, which is very convenient to assembly and maintain.

Optical System:

Luminous Intensity Distribution Diagram(90W)

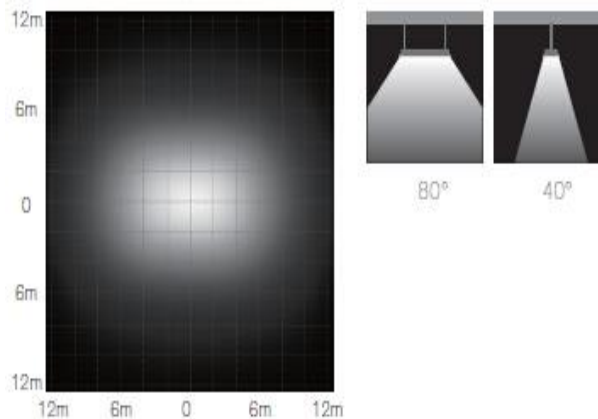


Auraled linear LED high bay light adopts a professional lens with 40*80 degree beam distribution, which is developed for aisle applications

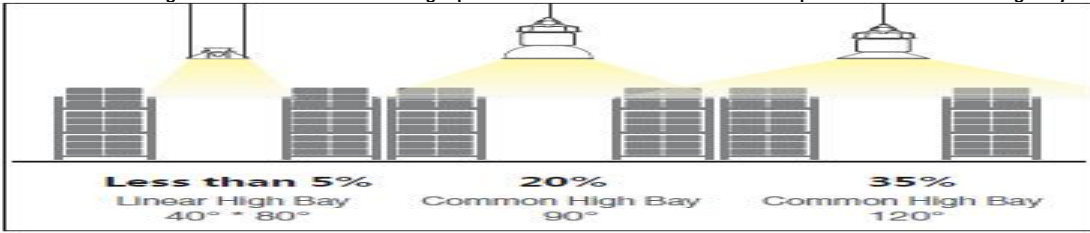


MOUNTING HEIGHT: 10m

Height	Eavg, Emax	Angle: 37.02deg	Diameter
16.4ft 5m	30.07, 39.82fc 323.7, 428.6lx		10.96ft 334.75cm
19.69ft 6m	20.89, 27.65fc 224.8, 297.6lx		13.18ft 401.70cm
26.25ft 8m	11.75, 15.55fc 126.5, 167.4lx		17.57ft 535.61cm
32.81ft 10m	7.519, 9.955fc 80.93, 107.2lx		21.97ft 669.51cm
39.37ft 12m	5.221, 6.913fc 56.20, 74.41lx		26.36ft 803.41cm

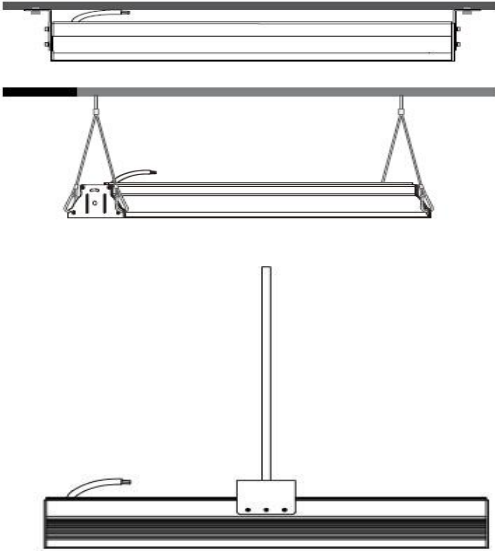


Each beam of light is utilized to illuminate the right place and lumen waste is less than 5% compared with common LED high bays.

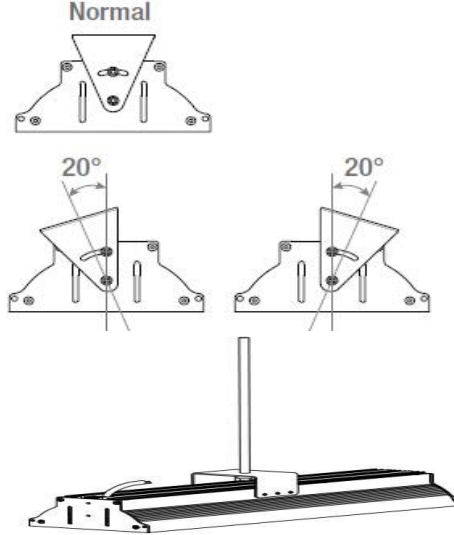


Installation:

Installation Methods



Adjustable Angle



Product Line

