

LINEAR II HIGHBAY



Product Overview:

Auraled Ltd. launched Linear LED High Bay to meet aisle lighting demands for high rack warehouses. The linear shape and narrow long light distribution are specifically designed for aisle lighting. Accurate Optical Design Specialized for linear high bay lighting. A one-piece aluminium heat sink is designed to pursue a better level of thermal management and protection. Utilizes High Brightness LEDs, >70CRI @ 5000K (3000K,4000K,6000K available). Heat Sink and Light Shell in Integration Design, Expanding Effective Thermal Management Area. Quick and Easy Installation with Varies Choices. Anti-corrosion Coating Surface and Wholly IP65 Design Suitable for All Kinds of Weather.

Application


Workshops
Hotels
Warehouse
Shopping Mall
Restaurants
Offices

Electrical Specification:


- 1: CE, DLC Certified, CETLUS Listed.
- 2: Power Input: 100-277VAC, 50/60Hz
- 3: Power Factor: ≥95%
- 4: THD at Full Load: ≤15%
- 5: Dimming (Upon Request, Please Contact Auraled).
- 6: Working Temperature (Environment): -40~+60.



Lumiway
Linear LED High Bay



Microwave Motion Sensor

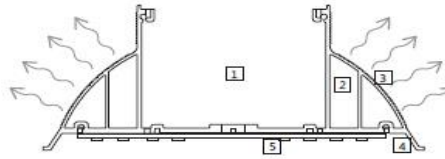


| Part # | Power | LED Type | CCT | Light Efficiency | Luminous Flux | Beam Angle | IP Level | Net Weight |
|------------|-------|----------|--|------------------|---------------|------------------|----------|------------|
| AL-LIN-90 | 90W | Nichia | 5000K (3000K,4000K,6000K Optional) | ≥120lm/W | ≥10800lm | 40°x80°/55°x130° | IP65 | 4.6±0.4kg |
| AL-LIN-120 | 120W | Nichia | 5000K (3000K,4000K,6000K Optional) | ≥120lm/W | ≥14400lm | 40°x80°/55°x130° | IP65 | 4.7±0.4kg |
| AL-LIN-150 | 150W | Nichia | 5000K (3000K,4000K,6000K Optional) | ≥120lm/W | ≥18000lm | 40°x80°/55°x130° | IP65 | 6.2±0.4kg |
| AL-LIN-180 | 180W | Nichia | 5000K (3000K,4000K,6000K Optional) | ≥120lm/W | ≥21600lm | 40°x80°/55°x130° | IP65 | 6.3±0.4kg |
| AL-LIN-210 | 210W | Nichia | 5000K (3000K,4000K,6000K Optional) | ≥120lm/W | ≥25200lm | 40°x80°/55°x130° | IP65 | 8.0±0.4kg |
| AL-LIN-240 | 240W | Nichia | 5000K (3000K,4000K,6000K Optional) | ≥120lm/W | ≥28800lm | 40°x80°/55°x130° | IP65 | 8.1±0.4kg |

Thermal Management:

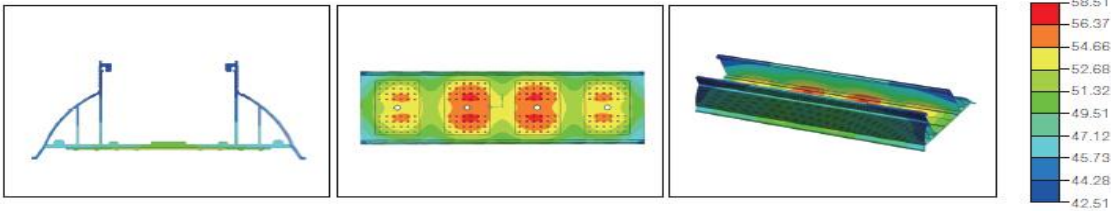


A one-piece aluminium heat sink overcomes the thermal barrier of module lamps, bringing a better heat dissipation effect. A 120 degree baffle with drape surface provides good performance for heat dissipation and anti-glare effect. The installation platform for the driver reduces the influence of heat from the radiator over the power supply, ensuring lifetime.



- 1. Independent Electrical Cavity
- 2. Hollow Structure
- 3. Drape Surface
- 4. Anti-glare Baffle
- 5. Aluminum PCB

THERMAL SIMULATION ANALYSIS(120W)



Quality Control:

Auraled linear LED High Bay Light incorporates the latest LED application technology to create an excellent product. We have a strict quality control system during the development and production stage. The main components such as Driver and LED Chips all are coming from the world's top suppliers. A strict surface treatment processing is conducted towards all metal parts.

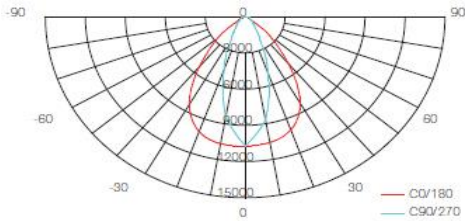
Power Supply:



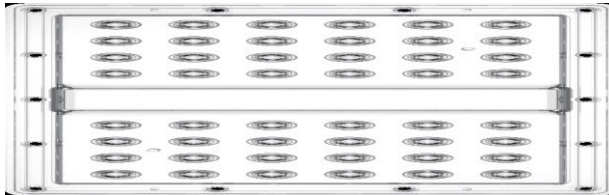
MEAN WELL power supply, lifetime is more than 50,000 hours, and 7 years warranty offered. Installation and connection is plug type, which is very convenient to assembly and maintain.

Optical System:

Luminous Intensity Distribution Diagram(90W)

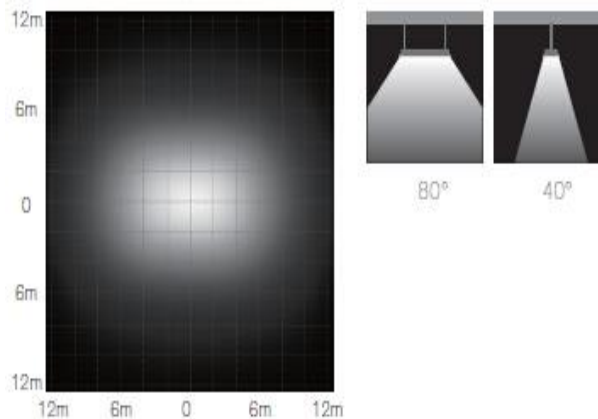


Auraled linear LED high bay light adopts a professional lens with 40*80 degree beam distribution, which is developed for aisle applications

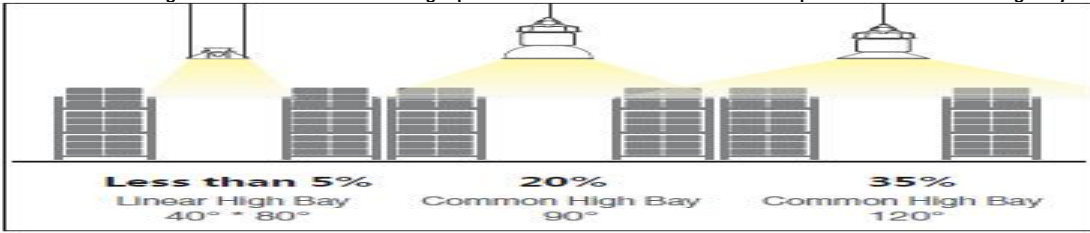


MOUNTING HEIGHT: 10m

| Height | Eavg, Emax | Angle: 37.02deg | Diameter |
|----------------|----------------------------------|-----------------|---------------------|
| 16.4ft 5m | 30.07, 39.82fc 323.7, 428.6lx | | 10.96ft 334.75cm |
| 19.69ft 6m | 20.89, 27.65fc 224.8, 297.6lx | | 13.18ft 401.70cm |
| 26.25ft 8m | 11.75, 15.55fc 126.5, 167.4lx | | 17.57ft 535.61cm |
| 32.81ft 10m | 7.519, 9.955fc 80.93, 107.2lx | | 21.97ft 669.51cm |
| 39.37ft 12m | 5.221, 6.913fc 56.20, 74.41lx | | 26.36ft 803.41cm |

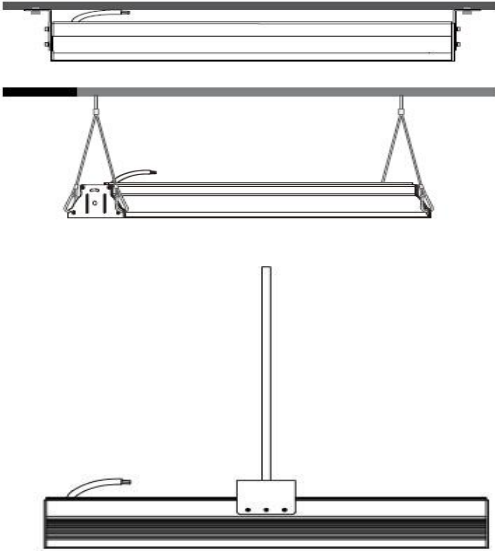


Each beam of light is utilized to illuminate the right place and lumen waste is less than 5% compared with common LED high bays.

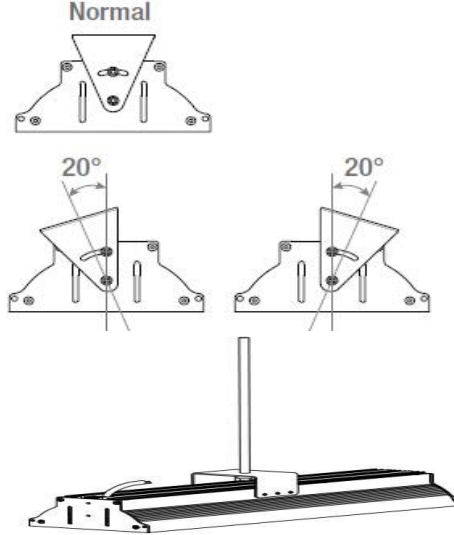


Installation:

Installation Methods



Adjustable Angle



Product Line

