

PRIME FEATURES:

- LED CANOPY
- PHOTOCELL OPTIONAL
- MICROWAVE SENSOR OPTIONAL
- POLYCARBONATE COVER
- IK10



APPLICATION



IMPACT RANGE VN30

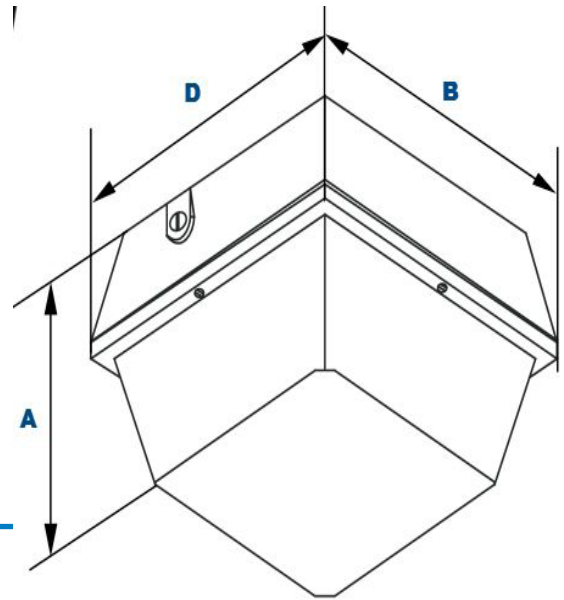
PART NUMBER	DESCRIPTION	POWER [W]	LUMEN	COLOUR TEMPERATURE
AL-VN30	CANOPY LED LIGHT WITH BUILT IN SENSOR MEDIUM	23W	2615LM 2724LM	4000K 5000K



WHAT YOU NEED TO KNOW:

SPECIFICATION:

Input Voltage	120-277AC
INPUT FREQUENCY[HZ]	50-60
DRIVERS	DIMMABLE
OPERATING TEMP C °	-40 ° TO 40 °
LIFE[H]	50,000 HOURS
IP RATING	IP65
CRI	>80
WARRANTY	5 YEARS



PHYSICAL DATA:

BODY SHAPE	SQUARE
BODY COLOUR	BRONZE/WHITE/ BLACK/GREY
BODY FINISH	DIE-CAST ALUMINIUM
DIFFUSER COLOR	CLEAR
DIFFUSER MATERIAL	Molded UV-Resistant Acrylic Optical Lens

DIMENSIONS:

	W [mm]	L [mm]	H[mm]
VN30	229	229	184

PHOTOMETRIC:

