

PRIME FEATURES:

- AREA LED LIGHTS
- OPTIONS: TOP LIGHT, TOP OPEN, TOP CLOSED
- SURGE PROTECTION AVAILABLE
- PHOTOCELL AVAILABLE
- IP67



APPLICATION



POST TOP LED

PART NUMBER	DESCRIPTION	POWER [W]	LUMEN	COLOUR TEMPERATURE
AL-PFS80	SQUARE POST TOP LIGHT	176W	18883	5000K
AL-PF70	SMALL POST TOP OPEN	84W	7887	5000K
AL-PF71	SMALL POST TOP CLOSED	84W	5900	5000K



WHAT YOU NEED TO KNOW:

SPECIFICATION:

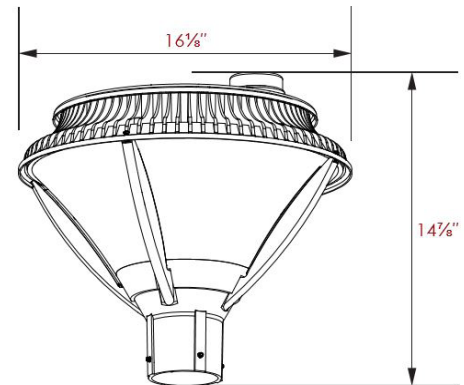
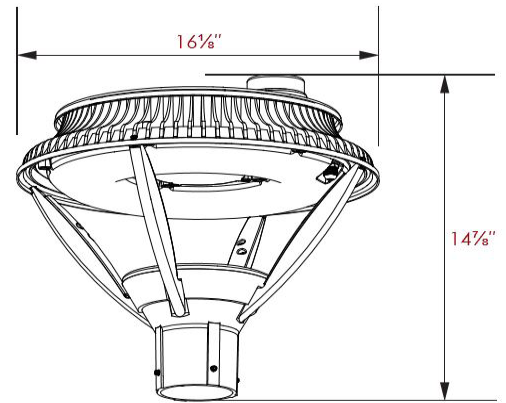
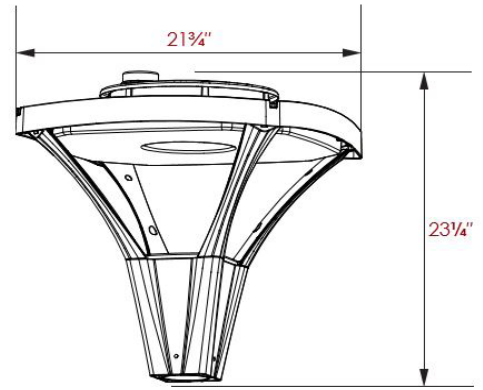
Input Voltage	120-277AC
INPUT FREQUENCY[HZ]	50-60
DRIVERS	DIMMABLE
OPERATING TEMP C °	-40 ° TO 50 °
LIFE[H]	50,000 HOURS
IP RATING	IP67
CRI	>80
WARRANTY	5 YEARS

PHYSICAL DATA:

BODY SHAPE	SQUARE
BODY COLOUR	BRONZE/WHITE/ BLACK/GREY
BODY FINISH	DIE-CAST ALUMINUM
DIFFUSER COLOR	CLEAR
DIFFUSER MATERIAL	Molded UV-Resistant Acrylic Optical Lens

DIMENSIONS:

	L [mm]	H [mm]
PFS80	552.45	590.55
PF70	406.4	355.6
PF71	406.4	355.6



PHOTOMETRIC:

