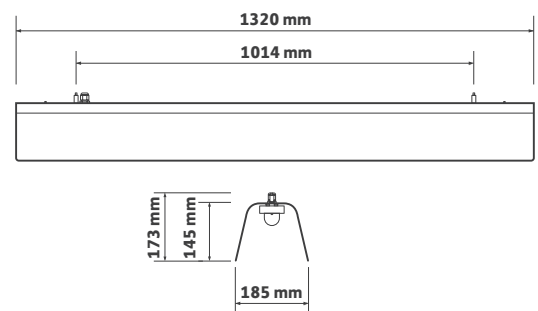


## Key Features

- ▶ Decorative hand finished LED pendant
- ▶ Integrated Tridonic LLE LED module to aid Part L compliance
- ▶ High transmission frosted PMMA diffuser for homogeneous illumination
- ▶ Available in three desirable colourways as standard
- ▶ Bespoke paint finishes available
- ▶ Adjustable 2 m suspension cables
- ▶ Interior finish in white satin
- ▶ Complements 126 Series

## Technical Drawing



## Ordering Information

Module Output	Power	Colour	Model Ref.
1600 lm	11 W	830	<b>127.001</b>
1600 lm	11 W	840	<b>127.002</b>

## Options

Please select from the options below.

Black satin outer, white satin inner	<b>/B</b>
Grey satin outer, white satin inner	<b>/G</b>
Red gloss outer, white satin inner	<b>/R</b>

Contact sales for product variations



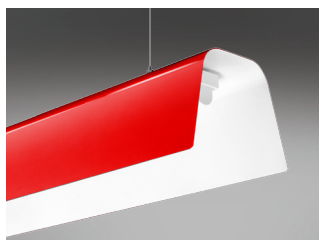
## Options



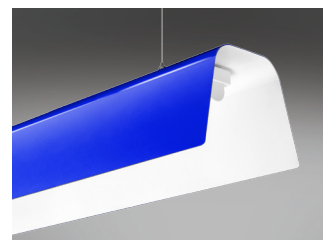
**/B**  
Black satin outer, white satin inner



**/G**  
Grey satin outer, white satin inner



**/R**  
Red gloss outer, white satin inner



**Product variations**  
Other colours and specifications  
available on request



**LED pendants available**  
Please see 126 Series datasheet