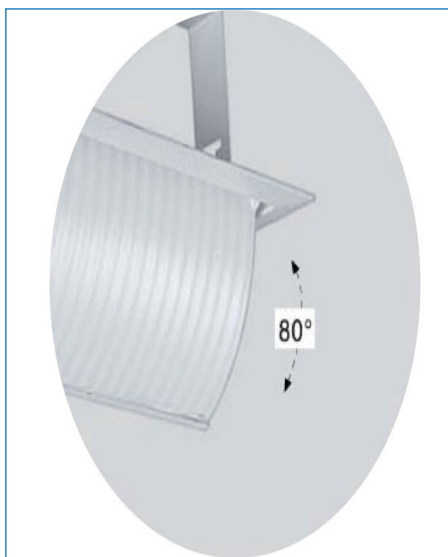




Specification	
Input Voltage	220 -250 AC
Input Frequency (Hz)	50-60
Drivers	INCLUDED
CRI	≥80
Life (H)	50000
Operating Temperature (°c)	-25 to 60
IP Rating	IP20
Warranty	5 Years

Physical Data	
Shape	RECTANGULAR
Colour	WHITE
Finish	DIE CAST



KEY FEATURES

- Fully Adjustable
- Upto 70% of energy savings
- Epistar Chip
- 3000K, 6000K optional
- High Lumen Output

Ordering Information						
Part Number	Power (W)	Lumen	DEPTH (mm)	HEIGHT (mm)	Width (mm)	Colour Temp
AL-RTSCOB-30-WW/CW	30	2250/2550	136	146	235	3000 6000
AL-RTSCOB-45-WW/CW	45	3375/3825	146	146	235	3000 6000