



Microwave Sensor

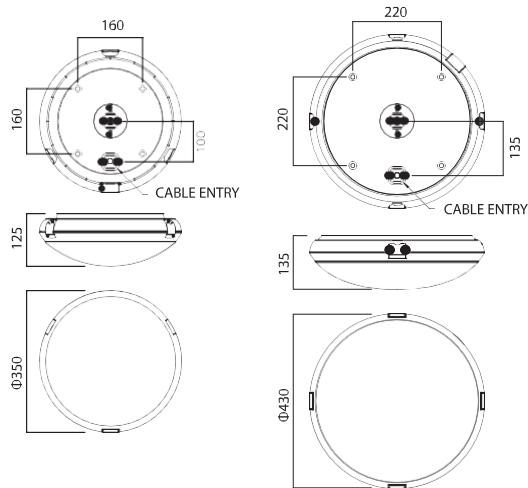


Omega hinged cover



IP65 Polycarbonate LED bulkhead

SUPERO LED



APPLICATIONS

- Walkways
- Entrances
- Stairwells
- Car parks

SPECIFICATION

- Two wattages available:
 - 18W, 1350 lm, 75 l.lm/c.W
 - 24W, 1650 lm, 69 l.lm/c.W
- CCT 5000K
- CRI >.8

CONSTRUCTION

- Polycarbonate base, white
- Polycarbonate diffuser, opal
- Steel geartray

OPTIONS

- Emergency (maintained 3 hours) version available. Add suffix /EM
- Available with microwave sensor. Add suffix /MW
- Corridor function available. Add suffix /CF



| ORDER CODE | DESCRIPTION |
|-------------|----------------------------------|
| AL-SUPLED18 | 18W LED IP65 Bulkhead White Opal |
| AL-SUPLED24 | 24W LED IP65 Bulkhead White Opal |