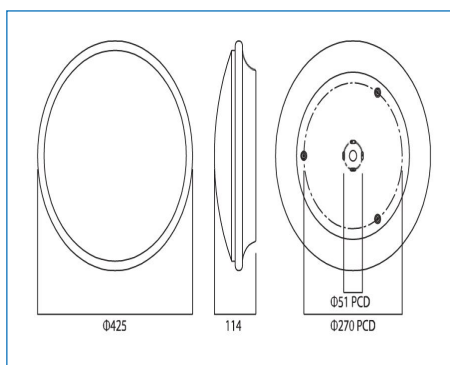




Specification	
Input Voltage	220 -250 AC
Input Frequency (Hz)	50-60
Drivers	INCLUDED
CRI	≥80
Life (H)	50000
Operating Temperature (°c)	-25 to 45
<b>IP Rating</b>	<b>IP40</b>
<b>Warranty</b>	<b>5 Years</b>

Physical Data	
Shape	ROUND
Colour	WHITE/OPAL/CHROME
Finish	POLYCARBONATE



### KEY FEATURES

- Emergency / Microwave sensor optional
- Upto 70% of energy savings
- Corridor function available
- 100 LM/W, Surface mount
- Opal Acrylic diffuser
- Osram Driver

Ordering Information						
Part Number	Power (W)	Lumen	Cutout (mm)	Height (mm)	Width (mm)	Colour Temp
AL-ORBLED22-WO/CO-850K	22	2200	425	114	N/A	4000 5000
AL-ORBLED15-WO/CO-850K	15	1500	425	114	N/A	4000 5000