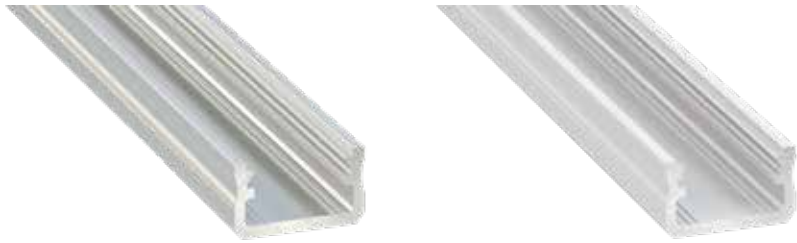


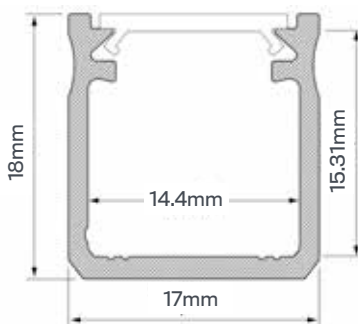
Specification	
LED strip width:	12mm
Colour Variations:	Raw Black White (RAL9016)
Mounting	Two-sided Adhesive Tape, Mountaing Clip, Pendants
Diffuser	Opal



KEY FEATURES

Surface-mounted profile - for decorative lighting in offices and homes. The small height of this profile and the flat cover (mounted from the top with a snap-on) give the impression of a very discreet fixture for LED strips and tapes. The AL-SMAP-02 is ideally suited for use as an element of decorative backlighting in furniture and interior decorations.

Ordering Information		
Code	Colour	Length
AL-SMAP-02-AL-WH-2M	WHITE	2000MM
AL-SMAP-02-AL-WH-3M	WHITE	3000MM
AL-SMAP-02-AL-BK-2M	BLACK	2000MM
AL-SMAP-02-AL-BK-3M	BLACK	3000MM
AL-SMAP-02-AL-2M	ALUMINIUM	2000MM
AL-SMAP-02-AL-3M	ALUMINIUM	3000MM



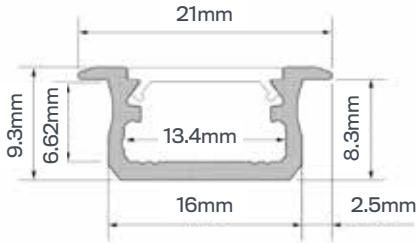
Specification	
LED strip width:	Up to 12mm
Colour Variations:	Raw Black White (RAL9016)
Mounting	Two-sided Adhesive Tape, Mountaing Clip, Pendants
Covers (Diffusers)	Opal

KEY FEATURES

Aluminium profile for surface-mounting. Perfect for household and office room illumination - lighting of columns and countertops. This is an innovative product on the lighting market. One of the most minimalist and modern designs. The extremely interesting and modern design of the AL-SMAP-03 profile allows us to meet the needs of our customers in the use of LED strips for the creation of light lines.

Thanks to the increased dimensions of the profile's side walls, we can obtain a uniform and more targeted light without visible LEDs (with the use of the opal cover). The profile retains the impression of a discreet fixture for LED strips and is ideally suited for decorative backlighting in furniture and interior decorations.

Ordering Information		
Code	Colour	Length
AL-SMAP-03-AL-WH-2M	WHITE	2000MM
AL-SMAP-03-AL-WH-3M	WHITE	3000MM
AL-SMAP-03-AL-BK-2M	BLACK	2000MM
AL-SMAP-03-AL-BK-3M	BLACK	3000MM
AL-SMAP-03-AL-2M	ALUMINIUM	2000MM
AL-SMAP-03-AL-3M	ALUMINIUM	3000MM



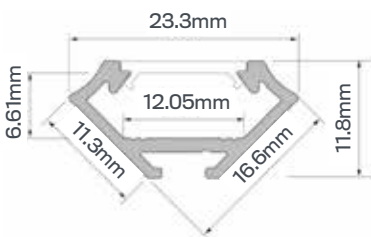
Specification	
LED strip width:	up to 12mm
Colour Variations:	Raw Black White (RAL9016)
Mounting	Pressed on to the milled hole or by adhesive tape
Cover (Diffuser)	Opal



KEY FEATURES

Groove mounted profile - for lighting kitchen and stores. Perfect for lighting shelves and countertops. Easy installation inside a milled groove. The minimum depth of the groove is only 9 mm. The small height of this profile and the flat cover (mounted from the top with a snap-on) give the impression of a very discreet fixture for LED strips and tapes. AL-LIP-02 is ideally suited for use as an element of decorative backlighting in furniture and interior decorations.

Ordering Information		
Code	Colour	Length
AL-LIP-02-AL-WH-2M	WHITE	2000MM
AL-LIP-02-AL-WH-3M	WHITE	3000MM
AL-LIP-02-AL-BK-2M	BLACK	2000MM
AL-LIP-02-AL-BK-3M	BLACK	3000MM
AL-LIP-02-AL-2M	ALUMINIUM	2000MM
AL-LIP-02-AL-3M	ALUMINIUM	3000MM



Specification	
LED strip width:	Up to 12mm
Colour Variations:	Raw Black White (RAL9016)
Mounting	Pressed on to the milled hole or by adhesive tape
Covers (Diffusers)	Opal

KEY FEATURES

Angle profile 45 degrees - for lighting kitchens and stores. Ideal for lighting shelves and countertops. Perfectly suitable for designer connections of two perpendicular surfaces and all applications where the light coming from the profile at a 45° angle is required.

The small height of this profile and the flat cover (mounted from the top with a snap-on) give the impression of a very discreet fixture for LED strips and tapes. AL-CAP-01 is ideally suited for use as an element of decorative backlighting in furniture and interior decorations.

Ordering Information		
Code	Colour	Length
AL-CAP-01-AL-WH-2M	WHITE	2000MM
AL-CAP-01-AL-WH-3M	WHITE	3000MM
AL-CAP-01-AL-BK-2M	BLACK	2000MM
AL-CAP-01-AL-BK-3M	BLACK	3000MM
AL-CAP-01-AL-2M	ALUMINIUM	2000MM
AL-CAP-01-AL-3M	ALUMINIUM	3000MM