



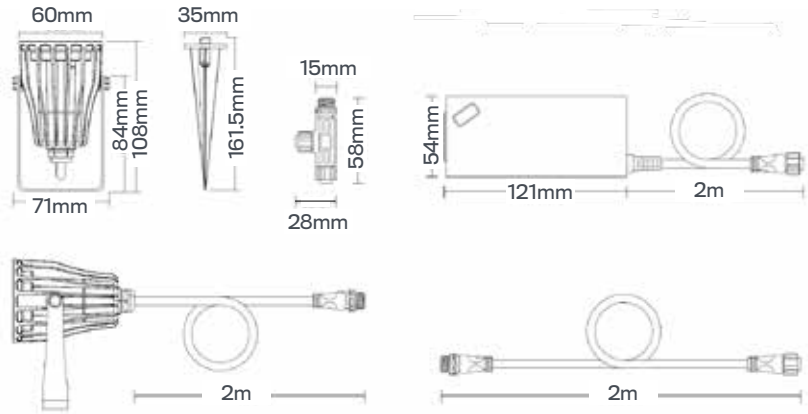
Specification	
Power:	6W/9W/15W/25W
Voltage:	DC24V (AL-SP9) AC100~240V 50/60Hz (AL-SP6 RGB, AL-SP15, AL-SP25)
Work Temperature:	-2 0~60°C
Color Temperature:	2700K~6500K
Luminous Flux:	AL-SP6 = 420LM, AL-SP9 = 700LM, AL-SP15 = 1200LM, AL- SP25 = 1700LM
Luminous Efficiency:	AL-SP6 = 70LM/W, AL-SP9 = 80LM/W, AL- SP15 = 80LM/W, AL-SP25 = 70LM/W
CRI:	AL-SP6 =>75, AL-SP9 = >80, AL-SP15 = >80, AL-SP25 = >75
Lifespan:	50000 hours
Beam Angle:	AL-SP9, AL- SP15, AL-SP25 = 15° AL-SP6 = 25°
Illumination distance:	AL-SP9, AL- SP15, AL-SP6 = >10m AL-SP25 = 15m
IP Rate:	IP66
RF:	2.4GHz
Transmitting power:	6dBm
Control Distance:	30m

KEY FEATURES

- 2.4GHz Remote and smartphone app controllable.
- Supports third party voice control such as Alexa.
- 16 million colours to choose from, CCT, brightness and saturation controllable. Signal transmitting and mode synchronisation.



Ordering Information	
Model No	Description
AL-SP6 RGB-CCT	6W SPIKE RGB-CCT
AL-SP9 RGB-CCT	9W SPIKE/SPOT RGB-CCT
AL-SP15 RGB-CCT	15W SPIKE/SPOT RGB-CCT
AL-SP25 RGB-CCT	25W SPIKE/SPOT RGB-CCT



Specification	
Power:	6W
Input:	DC24V
Working Temperature:	-20~45°C
Color Temperature:	2700K~6500K
Luminous Flux:	550LM
Luminous Efficiency:	90LM/W
CRI:	>80
Lifespan:	50000hours
Beam Angle:	25°
Illumination distance:	>10m
IP Rate:	IP66
RF:	2.4GHz
Transmitting power:	6dBm
Control Distance:	30m

Switching Power Supply	
Input Voltage:	AC100~240V 50/60Hz
Rated Input Current:	1.5A Max.
Power Consumption (no loading):	0.21W Max.
Configuration:	Conductor
Output Voltage:	DC24V
Rating Load Current:	2.7A
Rating Output Power:	65W
Working Temp:	0~45°C
Storage Temp:	-20~80°C

KEY FEATURES

3X 6W KIT SPIKES RGB-CCT

3 spotlight kit with 2.4GHz wireless remote control, App control, supports third party voice control such as Alexa. 16 million colours to choose, adjustable colour temperature, brightness and saturation. Signal transmitting and mode synchronisation.



Ordering Information	
Model No	Description
AL-GK6 RGB-CCT	3X 6W KIT SPIKES RGB-CCT